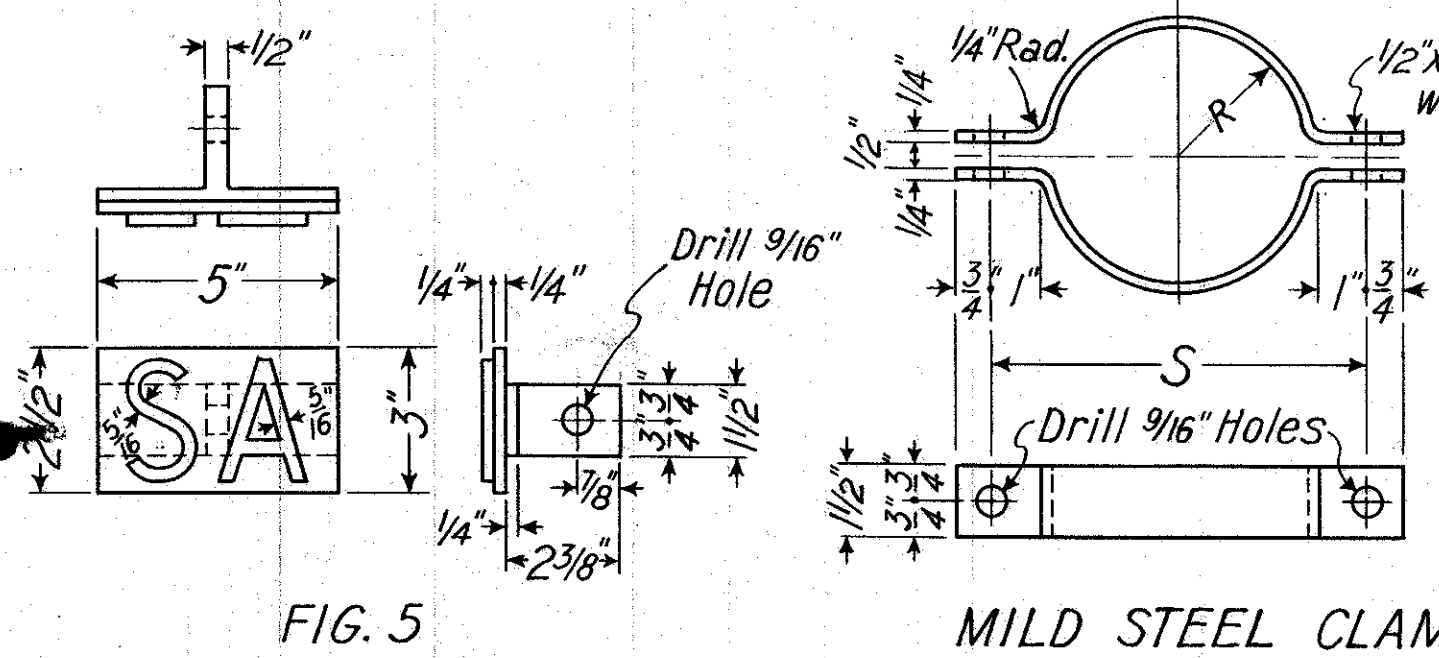
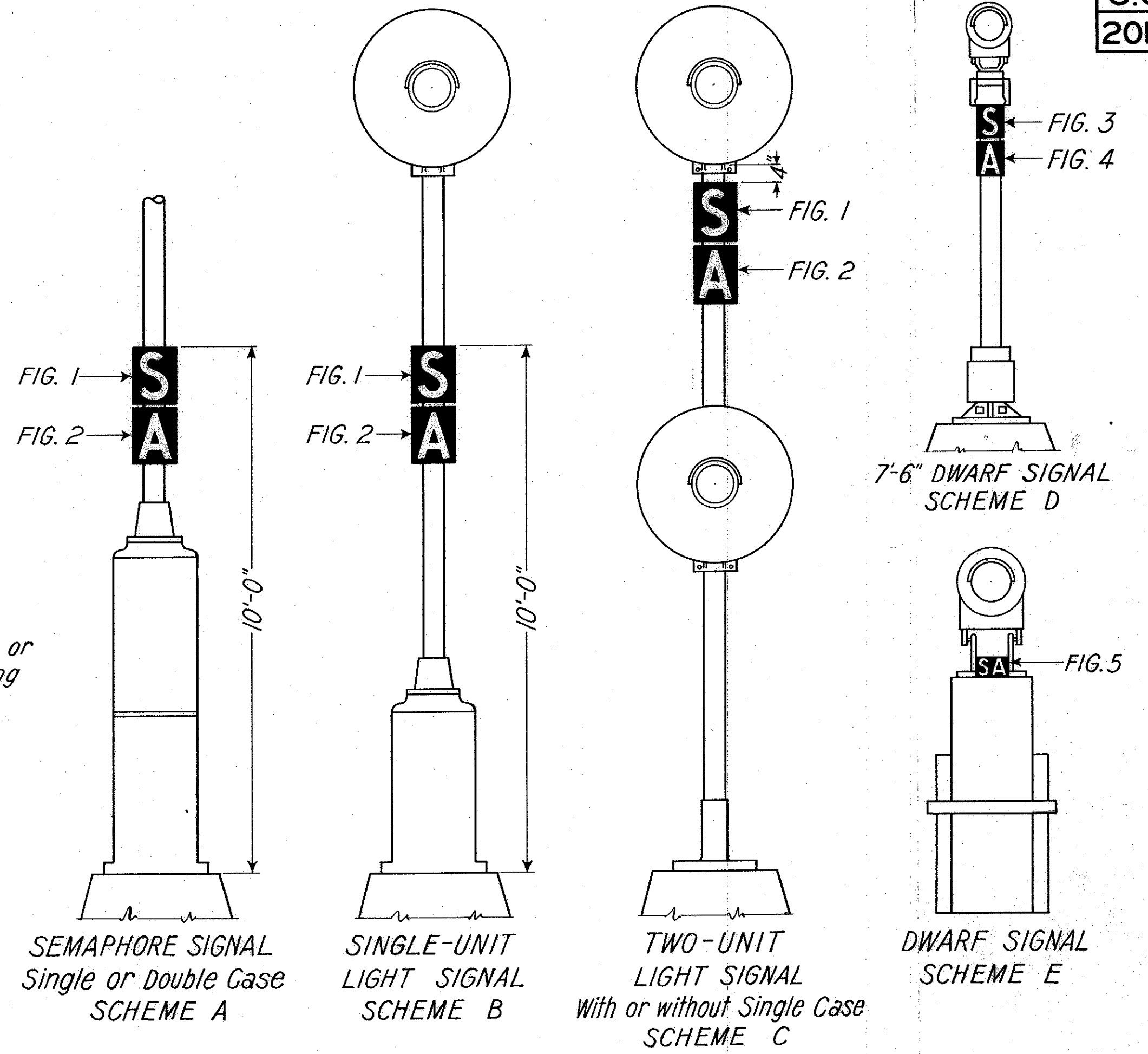


APPLICATION OF
FIGS. 1 & 2 AND FIGS. 3 & 4 PLATES



MILD STEEL CLAMP - 1/4" x 1 1/2"

Clamp	For	R	S	Developed length for each half
Type A	4" Pipe	2 1/4"	7"	10 5/8"
Type B	5" Casing	2 5/8"	7 3/4"	11 3/4"
Type C	5" Pipe	2 3/16"	8 1/8"	12 3/8"



NOTES:
1. Letter plates to be made of cast iron, 1/4" thick with 1/4" raised letters. Lug to be cast with plate.
2. Painting.—First, coat entire plate with red lead. Front of plate then to be given two coats of dead black paint. Face of letters and back of plate to be painted aluminum.

SOUTHERN PACIFIC LINES
COMMON STANDARD
LETTER PLATES FOR
SEMI-AUTOMATIC SIGNALS

NO SCALE
ADOPTED JUNE 3, 1946
REVISED AUG. 22, 1951