

FIG. 1 - LETTER PLATE FOR DWARF SIGNALS

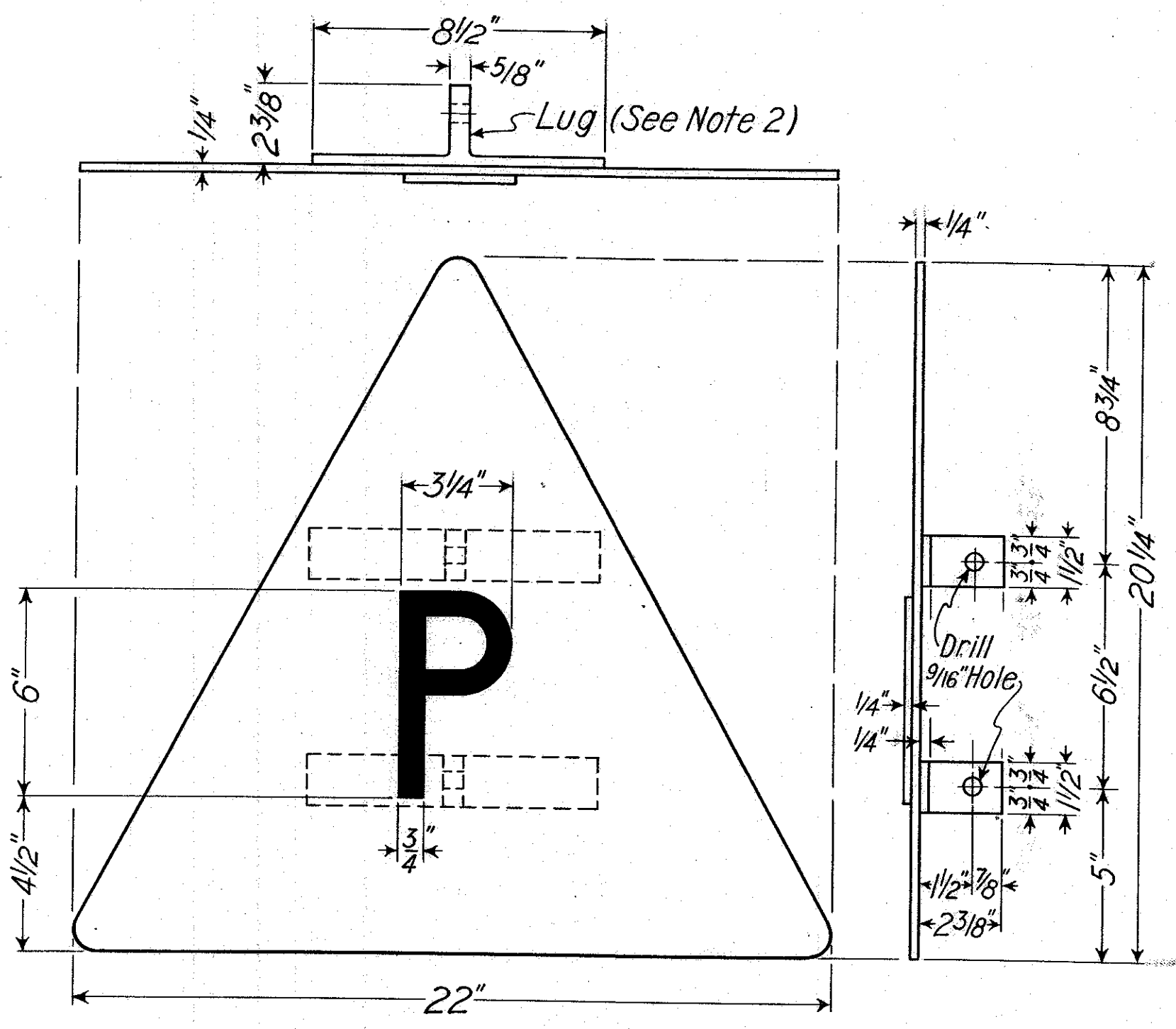


FIG. 2 - LETTER PLATE FOR HIGH SIGNALS

NOTES

1. Letter plates to be mounted on signals which protect locations where special protective devices for rock slides, washouts, fires, etc., are installed.
2. Letter plates to be made of cast iron, 1/4" thick with 1/4" raised letter. Lug to be cast with plate.
3. Painting. - First, coat entire letter plate with red lead. Front of plate then to be given two coats of dead black paint. Face of letter and back of plate to be painted aluminum. Back of number plate (see C.S.2012) to be painted aluminum when used in assemblies shown on this drawing.
4. For application of protection plate to semi-automatic and absolute signals see C.S. 2014.

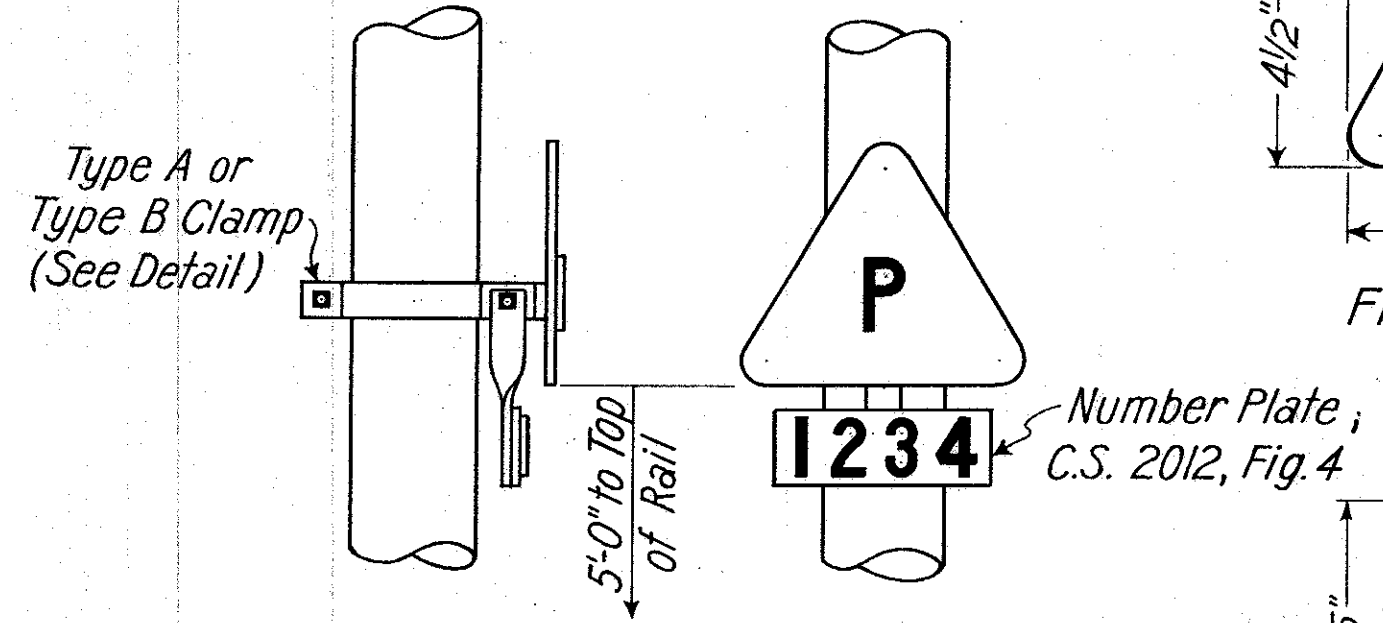


FIG. 1A - APPLICATION OF FIG. 1 PLATE WHEN USED WITH AUTOMATIC NUMBER PLATE FOR 7-6" DWARF SIGNAL

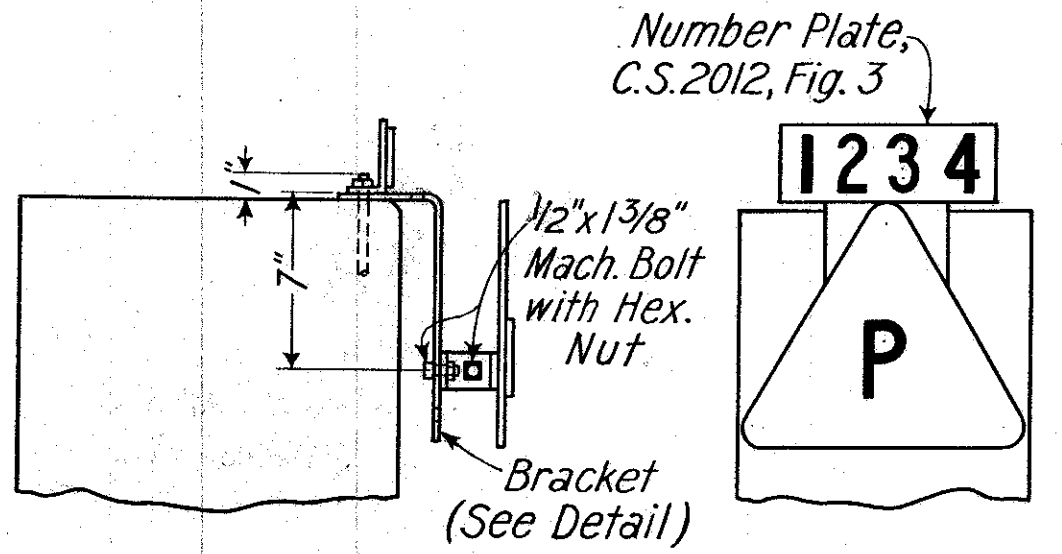
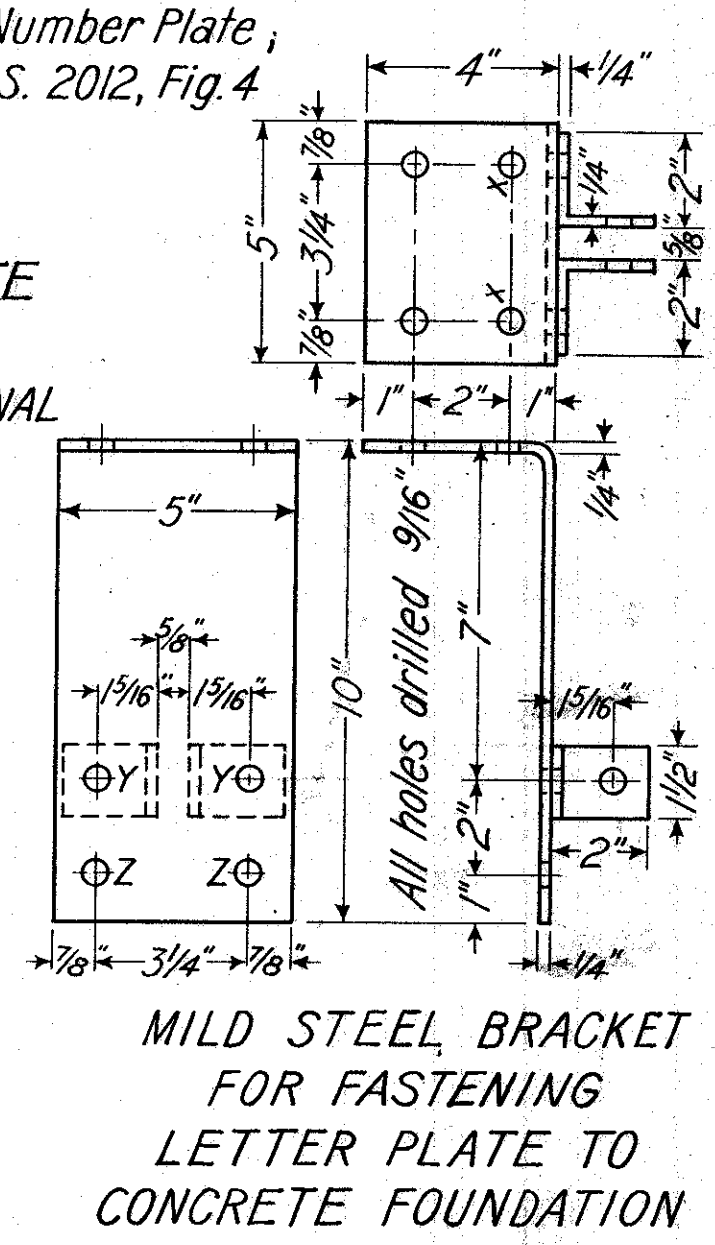


FIG. 1B - APPLICATION OF FIG. 1 PLATE TO CONCRETE FOUNDATION WHEN USED WITH AUTOMATIC NUMBER PLATE FOR DWARF SIGNAL



MILD STEEL BRACKET FOR FASTENING LETTER PLATE TO CONCRETE FOUNDATION

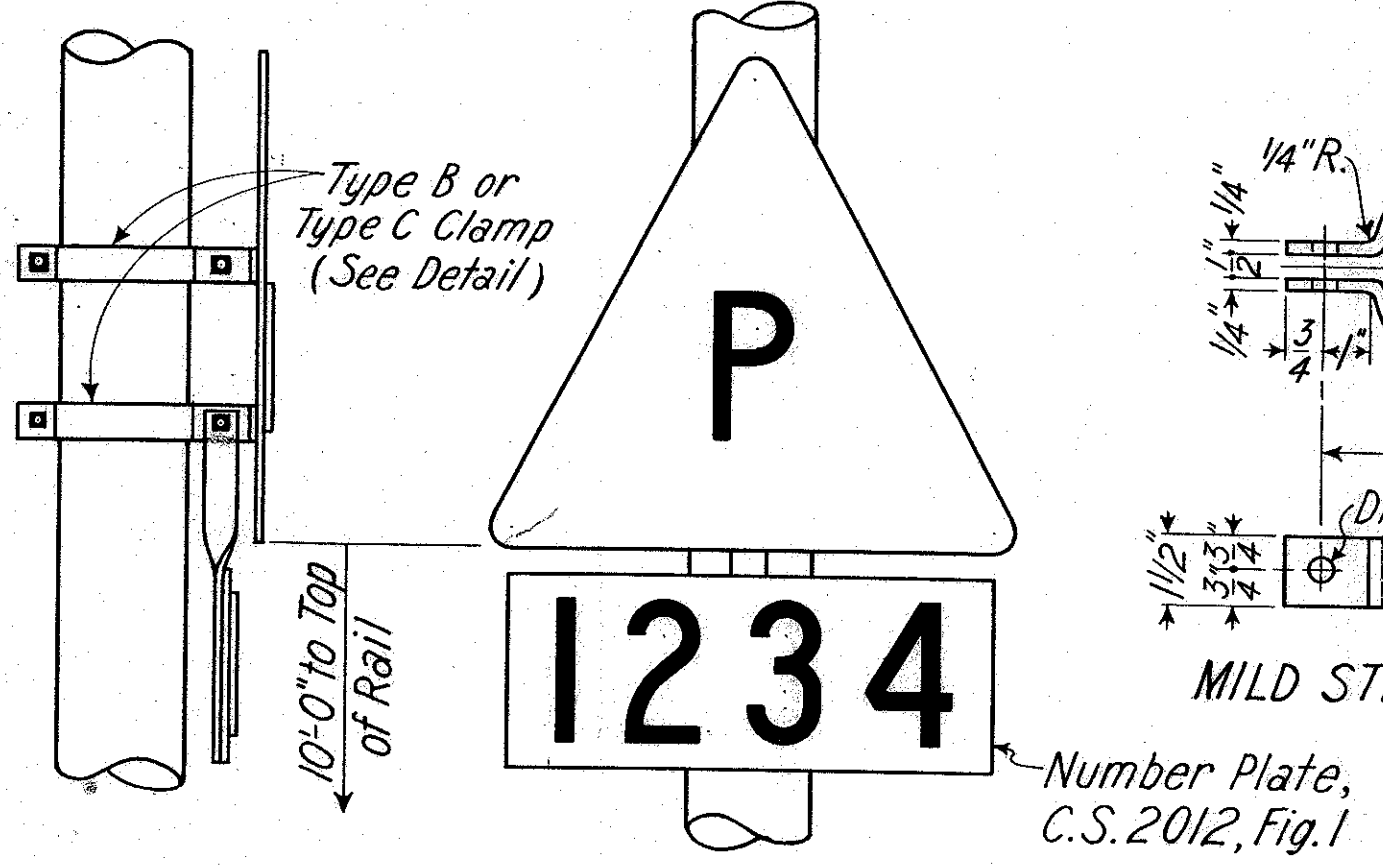
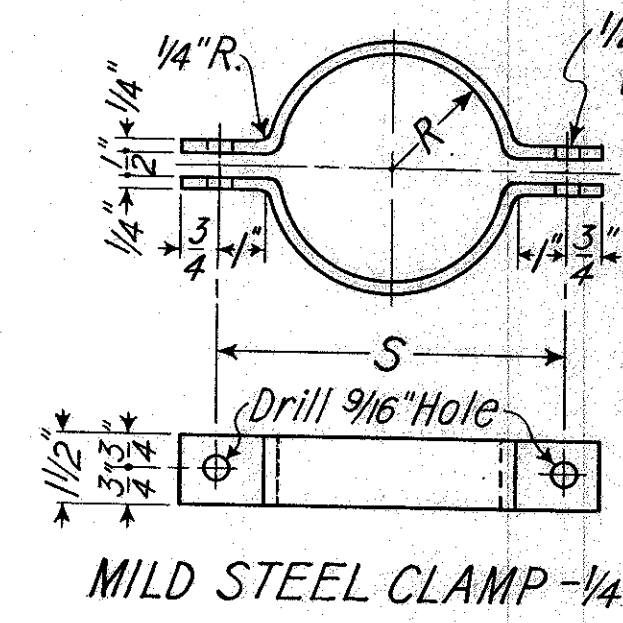


FIG. 2A - APPLICATION OF FIG. 2 PLATE WHEN USED WITH AUTOMATIC NUMBER PLATE FOR HIGH SIGNALS



MILD STEEL CLAMP - 1/4 x 1 1/2

Clamp	For	R	S	Developed length for each half
Type A	4" Pipe	2 1/4"	7"	10 5/8"
Type B	5" Casing	2 5/8"	7 3/4"	11 3/4"
Type C	5" Pipe	2 3/16"	8 1/8"	12 3/8"

Note: Holes in Bracket to be used as follows:
 Holes X for Fig. 4 and Fig. 5 Plates, C.S. 2013
 Holes Y for "P" Plate with Fig. 5 Plate, C.S. 2013
 Holes Z for "P" Plate with Fig. 4 Plate, C.S. 2013

**SOUTHERN PACIFIC LINES
 COMMON STANDARD
 PROTECTION SIGNAL PLATES
 NON-REVERSIBLE**

NO. SCALE
 ADOPTED JULY 3, 1936
 REVISED AUG. 22, 1951